

E4B-5R(2.7-12) AI

1T 5MP AI IR Fixed Dome Camera

Indoor Application



Features

- 1 TOPS computing power
- Supports behavior analysis, crowd flow analysis, target detection, person detection, and object classification
- Supports backlight adaptation and overcast adaptation 1/2.7" CMOS sensor
- 120 dB super wide dynamic range (WDR), ensuring that both foreground and background objects are clearly identified in environments with sharp light contrast
- SuperCoding, reducing the bit rate by 50%

Technical Specifications

Model E4B-5R(2.7-12) AI

Major Specifications

Main control	Computing power	1.0 TOPS			
	Memory	DDR3 256.0 MB			
	Flash type	SPI NAND FLASH 256.0 MB			
Camera	Focal length	2.7-12mm			
	Max Aperture	F1.2			
	Image sensor	1/2.7" CMOS/5MP 2880(H)*1620(V)			
	Angle of view	Horizontal:32°(T) to 95°(W);Vertical:18°(T) to 52°(W)			
	IR range	30m			
	IR Wavelength	850nm			
	DORI(Complied to the EN 62676-4)		D(m)	O(m)	R(m)
W		54.0	21.8	10.8	5.4
T		240.0	96.8	48.0	24.0

Intelligence

Target/Body	Target	Target detection
	Person	Person detection
Other intelligences	Behavior analysis	Fast movement/Tripwire crossing/Intrusion/Area entry or exit /Loitering/Parking detection
	Crowd flow analysis	Queue length/Head counting/Crowd flow statistics/Absence detection

Open ecosystem

Data openness	Data openness	GB28181/SDK (proprietary protocol)/REST API (proprietary protocol)/GA/T 1400/ONVIF Profile S/G/T/M
---------------	---------------	--

Image

Codec	Video encoding format	H.264/H.265/SuperCoding
	Video encoding channels	Dual streams
	Video frame rate	30/25fps
Image AI	Scene adaptation	Overcast adaptation
Image ISP	WDR	130db
	HLC/BLC	Supported/Supported
	SNR	>50dB
	Primary stream resolution	2880×1620(5MP),2560×1440(4MP),2304×1296(3MP),1920×1080 (1080P),1280×720(720P),720×576(D1_PAL)
	Secondary stream resolution	Secondary stream 1:720×576(D1_PAL),720×480(D1_NTSC),352×288 (CIF_PAL),352×240(CIF_NTSC)
	Video bit rate	Only for H.264 and H.265 5MP:512kbit/s to 8Mbit/s; 4MP:512kbit/s to 8Mbit/s; 3MP:512kbit/s to 8Mbit/s; 1080P:512kbit/s to 8Mbit/s; 720P:256kbit/s to 4Mbit/s; D1:256kbit/s to 2Mbit/s; CIF:32kbit/s to 1Mbit/s;

	Digital noise reduction	2D/3D noise reduction
	Mini illumination	Color: 0.02 Lux (F1.2, AGC ON, 1/30s shutter speed) B/W: 0.01Lux (f1.2, AGC ON, 1/30s shutter speed)

Audio		
Audio	Audio encoding format	G.711a/G.711u/G.726/AAC (default: G.711a)
	Audio sampling rate	G.711a/G.711u/G.726:8K AAC:8K/16K/22.05K/24K/32K/44.1K/48K
	Audio bit rate	G.711a/G.711u: 64 kbit/s G.726: configurable (16/24/32/40 kbit/s) AAC: 8 kHz sampling rate: 16/22/24/32/48 kbit/s 16 kHz sampling rate: 24/32/48/64/96 kbit/s 22.05/24/32 kHz sampling rate: 32/48/64/96/128 kbit/s 44.1/48 kHz sampling rate: 48/64/96/128/256 kbit/s

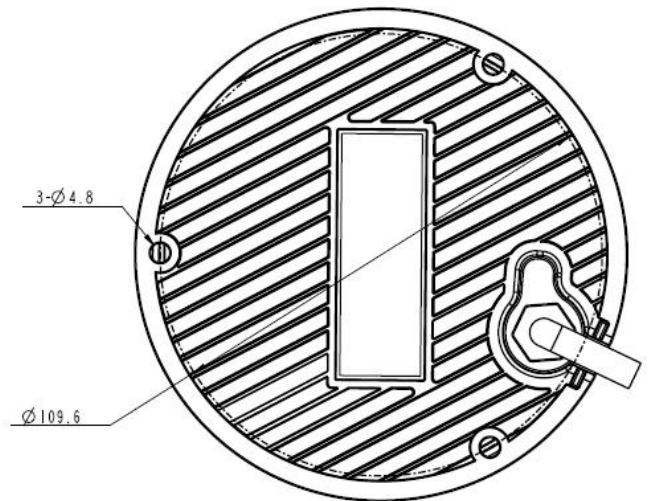
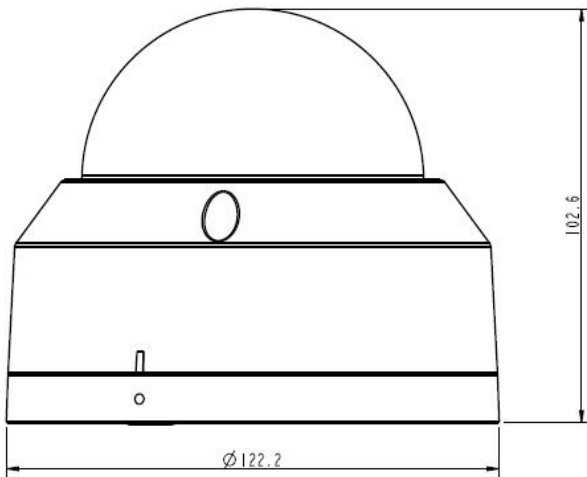
Networking		
Network transmission	Protocols supported by IPv4	TCP,UDP,IPv4,DHCP,DNS,ICMP,IGMP,HTTPS,FTP,SFTP,RTP,RTSP, RTCP,SIP,ARP,SSL,NTP,SNMP(V1/V2/V3),802.1x,QoS,SMTP
	Protocols supported by IPv6	HTTPS,RTP,RTCP,RTSP,Onvif,IPv6,ICMPv6,DHCPv6
Web Browser	Web Browser	Google Chrome, Firefox, Edge

Security		
Service security	User rights	Three user roles: administrator, advanced operator, and common operator
	Security mode	User name and password authentication, 802.1X authentication, and HTTPS digital certificate
	Secure boot	Supported
Alarm information	Alarm information	HTTPS certificate expiration/SDK certificate expiration/SDK root certificate expiration/SDK revocation certificate expiration/802.1X certificate expiration/Network disconnection/Failure to write data to disks/Media stream interrupted/Flash read/write/Version rollback

Port	
Alarm port	2 input port and 1 output port
Audio port	Supported (one-channel LINE OUT)/Supported (one-channel built-in microphone)

General Specifications	
Power type	DC12V,PoE(IEEE 802.3af)
Power consumption	Typical: 2.62W
Operating temperature	-30°C to 60°C
Operating humidity	5% to 95%(non-condensing)
Surge protection	4kV
IP rating	IP67
Weight	Net weight 574g; Gross weight 734g
Dimensions	Device dimensions122*122*102mm; Package dimensions 142*140*112mm

Dimensions



Recommended Accessories



ACC3311



ACC321